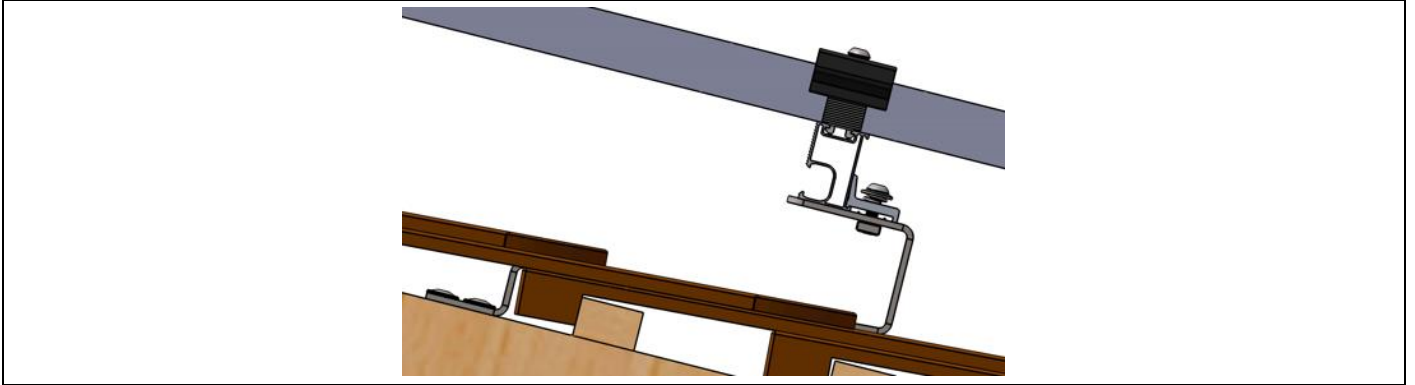
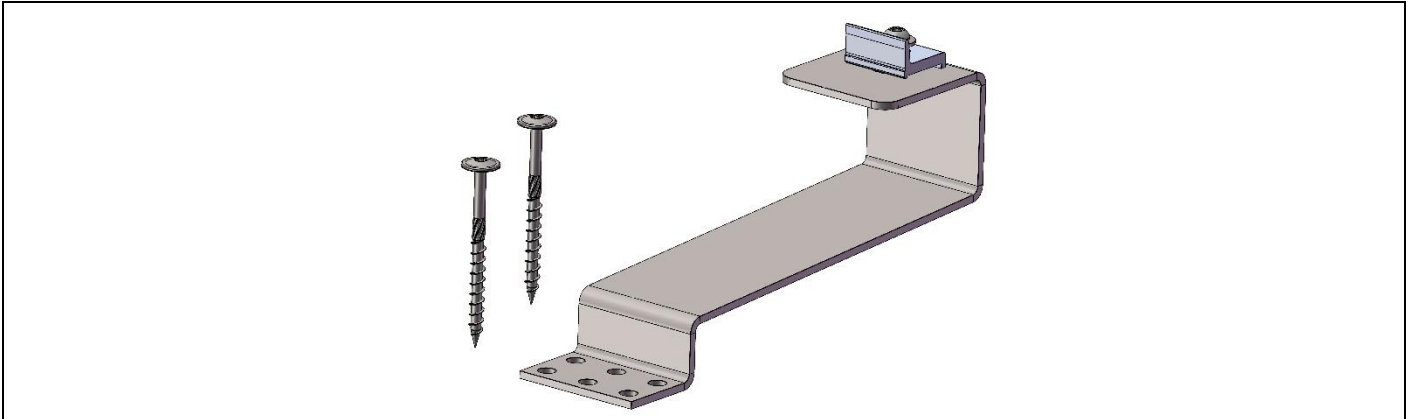


Beaver Tile Interface H119

Assembly

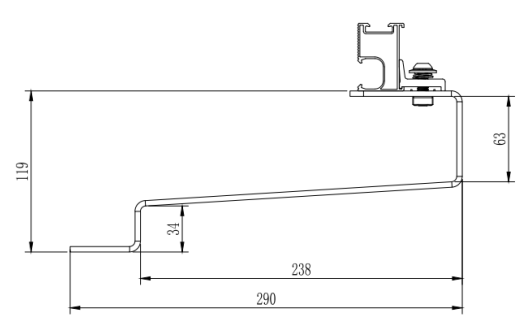


Component



Beaver Tile Interface H119, MAC Steel
Part No.: ER-I-PRO/13M

Technical Specification

Application	Beaver Tile Roof with Timber Purlin	
Screw Specification	2 x Wood screws M8*100, T40, Electro Galvanized ETA Certification	
Dimensions	L290mm*W75mm*H119mm	
Packaging	24 units per carton	
Weight	1.182 Kg	
Material	Main parts: MAC Steel (Zn-Mg-Al Coating Steel) Rail clamp: AL6005-T5 Fasteners: SUS 304	
Color	Silver	
Standard	GB50797 AS NZS1170.2 EN1991 JISC8955 ASCE 7-10	